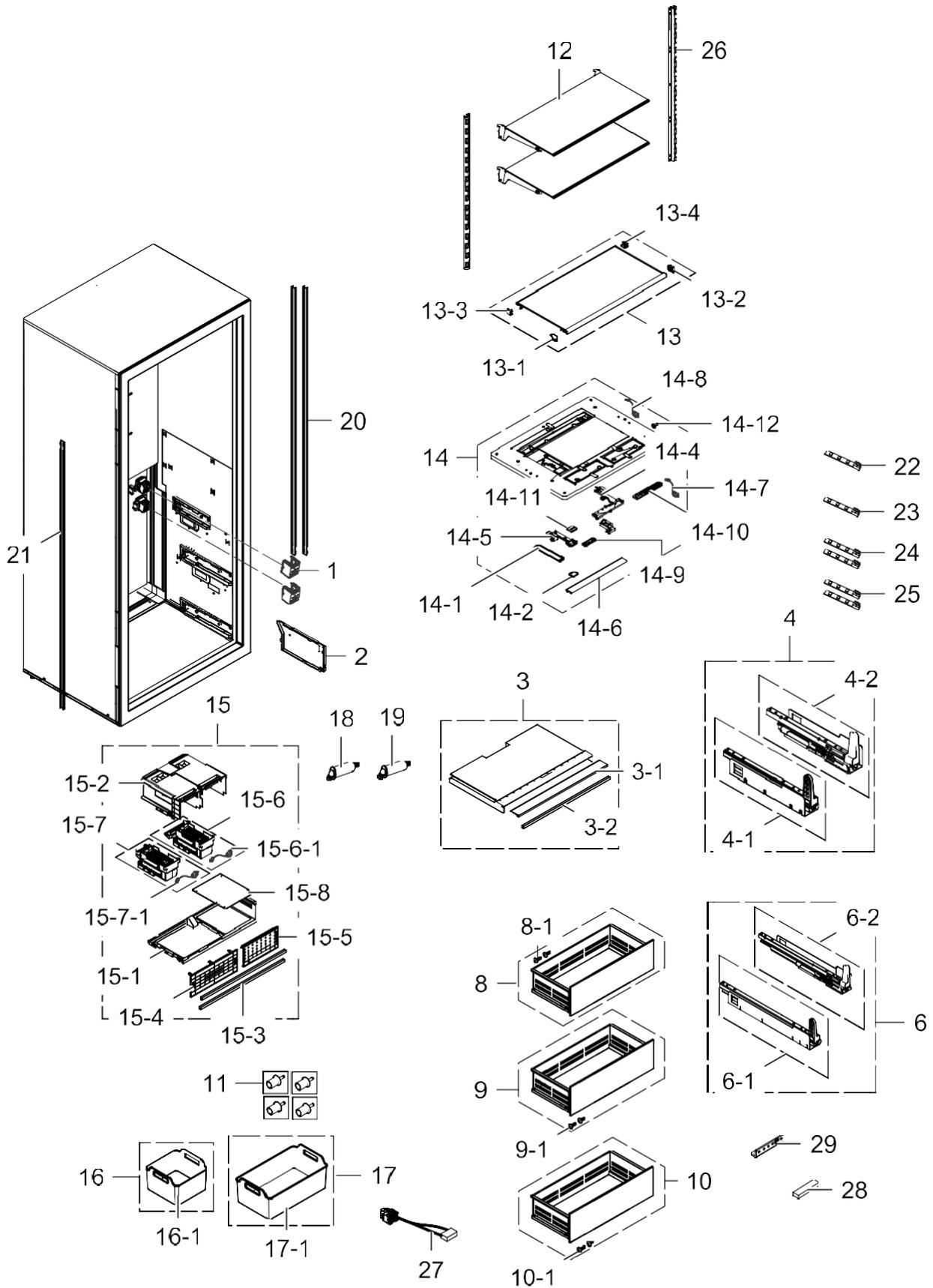


# 1. Freezer

## Exploded View



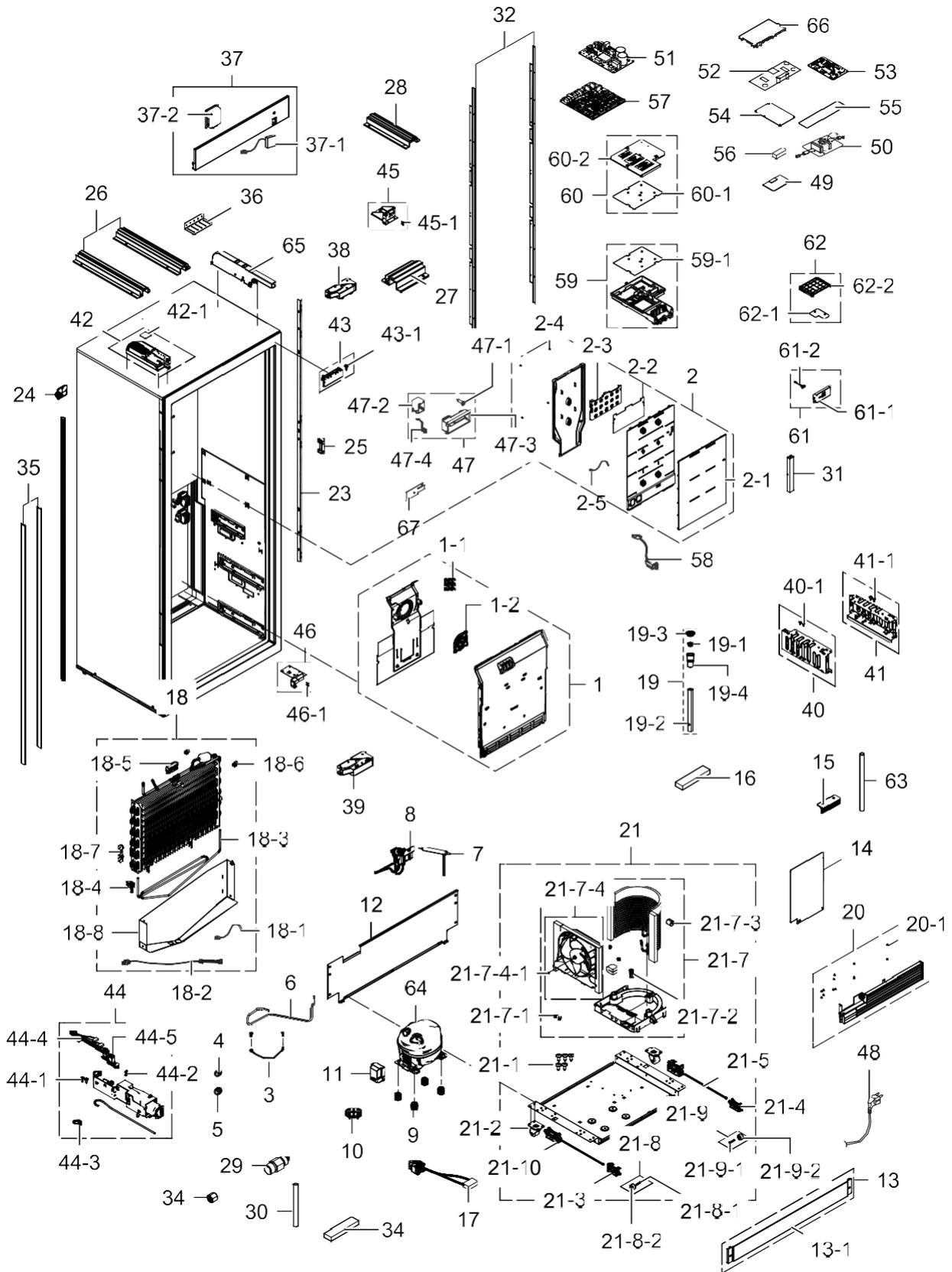
## Parts List

No.	Part#	Description & Specification	SNA
1	110985	COVER-FIXER HOUSING,V; NEXT,GALVALUM,T0.3	SA
2	111040	COVER HOUSING; BRR9000M,ABS,T2.5,INOX GRA	SA
3	111554	ASSY CASE CONVERTIBLE; BRR9000M 30"	SA
3-1	#N/A	TRIM SHELF; BRR9000M,A1,A6063,30"	SNA
3-2	110874	REINF COVER; BRR9000M_30R,PO-SPHC,T2.0,CO	SA
4	111646	ASSY RAIL-UP; BRR30	SA
4-1	#N/A	ASSY RAIL-UP LEFT; BRR9000M	SNA
4-2	#N/A	ASSY RAIL-UP RIGHT; BRR9000M	SNA
6	111647	ASSY RAIL-LOW; BRR30	SA
6-1	#N/A	ASSY RAIL-LOW LEFT; BRR9000M	SNA
6-2	#N/A	ASSY RAIL-LOW RIGHT; BRR9000M	SNA
8	111586	ASSY CASE BASKET-UP; BRR9000M_30F	SA
8-1	110655	SCREW-TAPPING; TH,+,NO,1,M4,L14,PASS,STS3	SA
9	111590	ASSY CASE BASKET-MIDDLE; BRR9000M_30F	SA
9-1	110655	SCREW-TAPPING; TH,+,NO,1,M4,L14,PASS,STS3	SA
10	111594	ASSY CASE BASKET-LOW; BRR9000M_30F	SA
10-1	110655	SCREW-TAPPING; TH,+,NO,1,M4,L14,PASS,STS3	SA
11	111629	ASSY FIXER; BRR9000M 30"	SA
12	111539	ASSY SHELF-REF; BRR9000 30"	SA
13	111543	ASSY SHELF COVER VEG; BRR9000 30"	SA
13-1	111140	SHELF-A; BRR9000M_30R,PP,CAP FRONT LEFT	SA
13-2	111141	SHELF-A; BRR9000M_30R,PP,CAP FRONT RIGHT	SA
13-3	111142	SHELF-A; BRR9000M_30R,PP,CAP REAR LEFT	SA
13-4	111143	SHELF-A; BRR9000M_30R,PP,CAP REAR RIGHT	SA
14	111547	ASSY SHELF-REF LOW; BRR9000 30",DISPLAY	SA
14-1	111059	GROMMET; BRR9000M,RUBBER	SA
14-2	111060	GROMMET; BRR9000,RUBBER,DACOR	SA
14-4	111026	COVER DISPLAY; BRR9000M_30R,HIPS,INOX GRA	SA
14-5	111049	COVER LAMP; BRR9000M,HIPS,INOX GRAY,30R	SA
14-6	#N/A	TRIM SHELF; BRR9000M,STS304,30" DISPLAY	SNA
14-7	#N/A	ASSY WIRE HARNESS-DISPENSER; ALL,FREE VOL	SA
14-8	#N/A	ASSY WIRE HARNESS-LED; ALL,12VDC,ALL,UL,A	SA
14-9	#N/A	CASE LAMP; BRR9000M,HIPS,INOX GRAY,30R	SNA
14-10	#N/A	ASSY PBA DISPLAY; BRR9000,ASSY DISPLAY, C	SA

14-11	#N/A	ASSY PBA DISPLAY; BRR9000,ASSY DISPLAY, C	SA
14-12	#N/A	SCREW-TAPPING; TH,+,1,M4,L12,ZPC(WHT),SWR	SA
15	#N/A	ASSY CASE ICE-ROOM; BRR9000M,30F	SNA
15-1	#N/A	CASE ICE ROOM-IN; BRR9000M,HIPS,INOX GRAY	SA
15-2	#N/A	CASE ICE ROOM-A; BRR9000M,HIPS,INOX GRAY,	SA
15-3	#N/A	REINF COVER; BRR9000M_30R,PO-SPHC,T2.0,CO	SA
15-4	#N/A	ASSY COVER ICE MAKER; BRR9000M,30F	SA
15-5	#N/A	ASSY COVER SLIDE; BRR9000M,30F	SA
15-6	#N/A	ASSY ICE MAKER; BRR9000,BI-311, 120V, 8CU	SA
15-6-1	#N/A	ASSY WIRE HARNESS-ICE; ALL,FREE VOLT,UL+I	SA
15-7	#N/A	ASSY ICE MAKER; BRR9000,BI-312, 120V, 4CU	SA
15-7-1	#N/A	ASSY WIRE HARNESS-ICE; ALL,FREE VOLT,UL+I	SA
15-8	#N/A	ASSY PLATE COOLING; BRR9000M,BRZ3098,ASSY	SA
16	#N/A	ASSY CASE ICE; BRR9000M,24F,CUBE	SA
16-1	#N/A	CASE ICE-CUBE; BRR9000M,PETG,NATURAL,24F,	SA
17	#N/A	ASSY CASE ICE; BRR9000M,30F,CUBE	SA
17-1	#N/A	CASE ICE-CUBE; BRR9000,PETG,NATURAL,30F,J	SA
18	#N/A	ASSY PIPE WATER ICE; BRF8000M	SA
19	#N/A	ASSY PIPE WATER ICE; BRF8000M	SA
20	#N/A	COVER LAMP-SIDE; BRR9000M,HIPS,T2.0,WHITE	SA
21	#N/A	COVER LAMP-SIDE; BRR9000M,HIPS,T2.0,WHITE	SA
22	#N/A	ASSY LAMP LED; 18,FR-4,336*16,WHITE,LEKD-	SA
23	#N/A	ASSY LAMP LED; 18,FR-4,336*16,WHITE,LEK-0	SA
24	111268	ASSY LAMP LED; 18,CEM-1,592*16,WHITE,SMAW	SA
25	111269	ASSY LAMP LED; 18,CEM-1,592*16,WHITE,SMAW	SA
26	#N/A	ANGLE SHELF-REF SIDE RIGHT; GI-SGCC,T3.0,	SNA
27	111235	ASSY WIRE HARNESS-LED; ALL,12VDC,UL+IEC,N	SA
28	110923	SEAL CUTT-RUBBER; RR2500K,RUBBER,BLACK,T5	SA
29	#N/A	REINF-FRONT; BRR9000M,HGI-SGHC,T3.0,REINF	SNA

# 2. Cabinet

## Exploded View



## Parts List

No.	Part#	Description and Specification	SNA
1	111478	ASSY COVER EVAP-FRE; BRR9000M,COLUMN, 30"	SA
1-1	110655	SCREW-TAPPING; TH,+,NO,1,M4,L14,PASS,STS3	SA
1-2	110696	MOTOR BLDC FAN; ARES2130RA,1850RPM,12V,4.	SA
2	111484	ASSY COVER MULTI-FRE; BRR9000M,COLUMN, 30	SA
2-1	#N/A	ASSY PLATE COOLING; BRR9000M,COLUMN, 30",	SNA
2-2	111161	SEAL COVER MULTI-FRE FRONT; BRR9000M,PE F	SA
2-3	111492	ASSY DUCT-ICE PACK; BRR9000M,COLUMN, 30,3	SA
2-4	110654	SCREW-TAPPING; TH,+,-,1,M4,L12,PASS,STS30	SA
2-5	110706	SENSOR TEMP; SC41198-021A,1000mm,13.2kohm	SA
3	110722	ASSY WIRE HARNESS-EARTH; ALL,FREE VOLT,UL	SA
4	110746	FITTING-LOKRING 33; SUM23,33	SA
5	110747	FITTING LOKRING; SUM23,St 56	SA
6	110935	PIPE CONNECT-SUCTION; BRR9000M,Cu,OD6.35,	SA
7	110940	DRYER; C1220T-H,114,SINGLE MOUTH,R-600a O	SA
8	110943	VALVE STEP; DC12V,MODULE,RIGHT/RIGHT bend	SA
9	110979	GROMMET COMP; USP05,EPDM,OD27.0,BLACK	SA
10	110990	COVER-URETHANE; AW-PJT,ABS,BLACK,5VA	SA
11	111001	COVER RELAY; MSV,MPPO,T2.0,BLACK,V-0	SA
12	111017	COVER COMP-REAR; BRR9000M,GI-SGCC,T0.8	SA
13	111652	ASSY COVER COMP-LOW; BRR9000M,30"	SA
13-1	111019	COVER COMP-LOW; BRR9000M,GI-SGCC,T1.2	SA
14	111146	PARTITION-FRONT; BRF8000M,GI-SGCC,T0.6	SA
15	111149	PARTITION-UP; BRR9000M,HIPS,T1.2	SA
16	111162	SEAL CUTT-RUBBER; W2-05,BUTYL RUBBER,BLAC	SA
17	111246	ASSY WIRE HARNESS-COMP; ALL,FREE VOLT,UL+	SA
18	111247	ASSY EVAP-FRE; BRR9000M,FIN TUBE,30", 36"	SA
18-1	110705	SENSOR TEMP; SC41199-021A, PVC TUBE 250mm	SA
18-2	110736	THERMO FUSE-ASSY; AC250V,10A,109~110S	SA
18-3	110740	HEATER METAL SHEATH; AC120V,BRR9000M 30,3	SA
18-4	110823	FIXER-SHEATH HEATER; POLARIS-PJT,AL,T0.8	SA
18-5	110795	FIXER-SENSER; AW-PJT,PP,NATURAL,V-0	SA
18-6	110818	FIXER WIRE; AW3-PJT,PP,T2.0,NATURAL,HB,BJ	SA
18-7	110822	FIXER-HEATER WIRE REF; HM/GGH/HAEMIL,PP,N	SA

Exploded Views and Parts List

18-8	110861	PLATE DRAIN-FRE; BRR9000M(30inch Column),	SA
19	111338	ASSY CAP-DRAIN; AW3	SA
19-1	110811	FIXER-DRAIN; HAEMIL,PP,T0.6,CARMEN WINE,B	SA
19-2	110928	TUBE PVC; AW3,SF-PVC,BLACK	SA
19-3	110982	GROMMET-DRAIN; RS18RK,NBR,-,-,-,-,BLK,-	SA
19-4	111128	CAP-DRAIN; AW4,HIPS,HB,S834S1,NATURAL	SA
20	111466	ASSY CHASSIS AIR GRILLE; BRR9000M,30" RIG	SA
20-1	110647	SCREW-TAPPING; TH,+,1,M4,L12,ZPC(WHT),SWR	SA
21	111474	ASSY CHASSIS COMP; BRR9000M,30"	SA
21-1	110647	SCREW-TAPPING; TH,+,1,M4,L12,ZPC(WHT),SWR	SA
21-2	111280	ASSY CASTER MOVING; BRR9000M,OD40,BLK,H60	SA
21-3	111390	ASSY LEG-FRONT; BRR9000M	SA
21-4	111391	ASSY LEG-FRONT; BRR9000M,RIGHT	SA
21-5	111393	ASSY LEG-REAR; BRR9000M,RIGHT	SA
21-7	111446	ASSY TRAY DRAIN WATER; BRR9000,T2,30inch	SA
21-7-1	110647	SCREW-TAPPING; TH,+,1,M4,L12,ZPC(WHT),SWR	SA
21-7-2	111006	GROMMET-IMMERSION PIPE B; ROMANEE CONTI,N	SA
21-7-3	111074	GROMMET-SUCT PIPE A; NBR,-,ID4,OD20	SC
21-7-4	111409	ASSY SUPPORT-CIRCUIT MOTOR; BRR9000M(30",	SA
21-7-4-	110913	SPRING ETC-FAN; STS304,PI8.8,ID7.8,OD9.8,	SA
21-8	111533	ASSY CASTER; BRR9000M,GI-SGCC,T3.0,LEFT	SA
21-8-1	110757	PIN-CASTER; SR-289-429,MSWR10,OD6.0,L38,Z	SA
21-8-2	110821	CASTER-REAR; GRAND-CRU,PP,NATURAL	SA
21-9	111534	ASSY CASTER-FRONT; BRR9000M,GI-SGCC,T3.0,	SA
21-9-1	110757	PIN-CASTER; SR-289-429,MSWR10,OD6.0,L38,Z	SA
21-9-2	110821	CASTER-REAR; GRAND-CRU,PP,NATURAL	SA
21-10	111392	ASSY LEG-REAR; BRR9000M	SA
23	110846	BRACKET-MIDDLE; BRR9000M,CR-SPCC,T1.2,COL	SA
24	111639	ASSY COVER FIXER WATER; BRR9000M,24,30,36	SA
25	110886	FIXER PIPE; BRR9000M,EPDM,BLACK	SA
26	110892	RAIL; BRR9000M,ABS,EBONY BLACK	SA
27	110893	RAIL; BRR9000M,ABS,EBONY BLACK,81.5mm,Col	SA
28	110895	RAIL-LEFT; BRR9000M,ABS,EBONY BLACK,HG-07	SA
29	110918	VALVE-FITTING PU; BEST-BUY,(C3604BD-F)+BN	SA
30	110946	PIPE WATER-LINE OUT; BRF8000M,PVC,WHITE	SA
31	111058	COVER WIRE; BRR9000,ABS,HB,COOL WHITE,HG-	SA

32	111091	CHASSIS CABI; BRR9000M,GI-SGCC,T0.8,-,-	SA
34	111170	VALVE-FITTING NUT; A-TOP,CU,12,C3604 BD-F	SA
35	111093	TRIM COVER; BRR9000M,AI,BI-327	SA
36	110903	SUPPORT-REF; BRR9000M,GI-SGCC,T3,Anti Tip	SA
37	111500	ASSY TOP TABLE-FRONT; BRR9000M	SA
37-1	110711	SENSOR PHOTO; -20~705V,illumination	SA
37-2	111033	COVER TOP TABLE; BRR9000M,ABS,HB,INOX GRA	SA
38	111379	ASSY HINGE-UP; BUILT-IN,K05-X	SA
39	111380	ASSY HINGE-LOW; BUILT-IN,K05-X	SA
40	111383	ASSY CABI FRAME-SIDE LEFT; BRR9000M,GI-SG	SA
40-1	110647	SCREW-TAPPING; TH,+,1,M4,L12,ZPC(WHT),SWR	SA
41	111387	ASSY CABI FRAME-SIDE RIGHT; BRR9000M,GI-S	SA
41-1	110647	SCREW-TAPPING; TH,+,1,M4,L12,ZPC(WHT),SWR	SA
42	111420	ASSY EASY OPEN; 12V	SA
42-1	110633	IC-MICROCONTROLLER; R5F100FCAFP,LQFP,44P,	SA
43	111427	ASSY COVER HINGE-FRE; BRR9000M,ABS,COLUMN	SA
43-1	110671	SCREW-TAPPING; PWH,+,PW,1,M4,L16,ZPC(WHT)	SA
44	111394	ASSY CASE WATER FILTER; BRR9000M	SA
44-1	110647	SCREW-TAPPING; TH,+,1,M4,L12,ZPC(WHT),SWR	SA
44-2	110806	CLIP-FITTING LOCK; AW,POM	SA
44-3	110752	FITTING TUBE; AW4-4D,POM,Fitting Tube Y,	SA
44-4	110938	VALVE WATER; AC110-127V,350,1WAY,L-Wire,1	SA
44-5	110934	VALVE WATER; AC110~127V,230,1WAY,L-Wire,1	SC
45	111457	ASSY REINF-UP RIGHT; BRR9000M,ZPC3	SA
45-1	110678	BOLT-ETC; M6,L20,ZPC(WHT),SWRCH18A,FH	SA
46	111459	ASSY REINF-LOW RIGHT; BRR9000M,ZPC3	SA
46-1	110678	BOLT-ETC; M6,L20,ZPC(WHT),SWRCH18A,FH	SA
47	111575	ASSY COVER HINGE-UP RIGHT; BRR9000M,Colum	SA
47-1	110660	SCREW-TAPPING; FH,+,1,M4,L18,ZPC(WHT),SWR	SA
47-2	111041	COVER HINGE-UP RIGHT; BRR9000M,PC,5V-B,EB	SA
47-3	#N/A	COVER HINGE-RIGHT; BRR9000M,ABS,HB,INOX G	SNA
47-4	111275	ASSY WIRE HARNESS-ETC; 1-DOOR,FREE VOLT,U	SA
48	110639	CBF-POWER CORD; AT,USA,US3F-1,3C,125V,15A	SA
49	110640	W-LAN MODULE; DWMSMQ96L01S,IEEE802.11,2.4	SA
50	110683	COIL FILTER; 22mH,82*60,AC 8A,0.47uF / 0.	SA
51	111197	ASSY PCB INVERTER; INVERTER,LC3_3050_V2,1	SA
52	111198	ASSY MODULE; STD#9 SMPS,RF9500(Family Hub	SA
53	111199	ASSY MODULE; BUZZER PBA,RB6000K	SA
54	111202	ASSY MODULE; PBA-FUSE BLOCK,BRZ9000M,30*5	SA
55	111205	ASSY PCB SUB; Network,WiFi,LTE,WideCamera	SA
56	110798	MAGNET; SVETA,FERRITE,1600Gauss	SA
57	111212	ASSY PCB EEPROM; 0X18,D601,D602,D603,D605	SA

## Exploded Views and Parts List

58	111259	ASSY WIRE HARNESS-ETC; 1-DOOR,FREE VOLT,U	SA
59	111612	ASSY CASE PBA; BRR9000M,COLUMN30"REF,SUB	SA
59-1	110904	PLATE COVER; Al,T0.15,FDR	SA
60	111616	ASSY COVER PBA; BRR9000M,COLUMN30"REF	SA
60-1	#N/A	PLATE COVER; BRR9000M,GI-SGCC,T0.5,Column	SNA
60-2	#N/A	COVER PBA; BRR9000M,PC,T2.5,5V-B,EBONY BL	SNA
61	111620	ASSY COVER-FRONT; BRR9000M,COLUMN30"REF	SA
61-1	#N/A	COVER FRONT; BRR9000M,PC,5V-B,EBONY BLACK	SNA
61-2	110716	SWITCH REED; UL1007 AWG 22,100mm,DEM1-B50	SA
62	111623	ASSY COVER-FRONT UP; BRR9000M,COLUMN30"RE	SA
62-1	#N/A	PLATE COVER; BRR9000M,GI-SGCC,T0.5,FRONT,	SNA
62-2	#N/A	COVER FRONT-UP; BRR9000M,PC,5V-B,EBONY BL	SNA
63	111169	PIPE CONNECT-DISC; RF8000MC,Cu,OD6.35,T0.	SA
Not Shown	112872	Vulkan lok ring fittings (includes drier)	SA
64	111691	CMP,COMP,REFRIGERATOR,R-600A; (Must order with Ref #9 QTY4)	SA
65	110866	GUIDE-UP; BRZ30980LPR,ABS,T2.5,HB,INOX GR	SA
66	111071	COVER PBA; BRR9000M,ABS,INOX GRAY,WIFI MO	SA
67	111152	CAP HINGE-UP RIGHT; BRR9000M,ABS,T1.2,HG-	SA



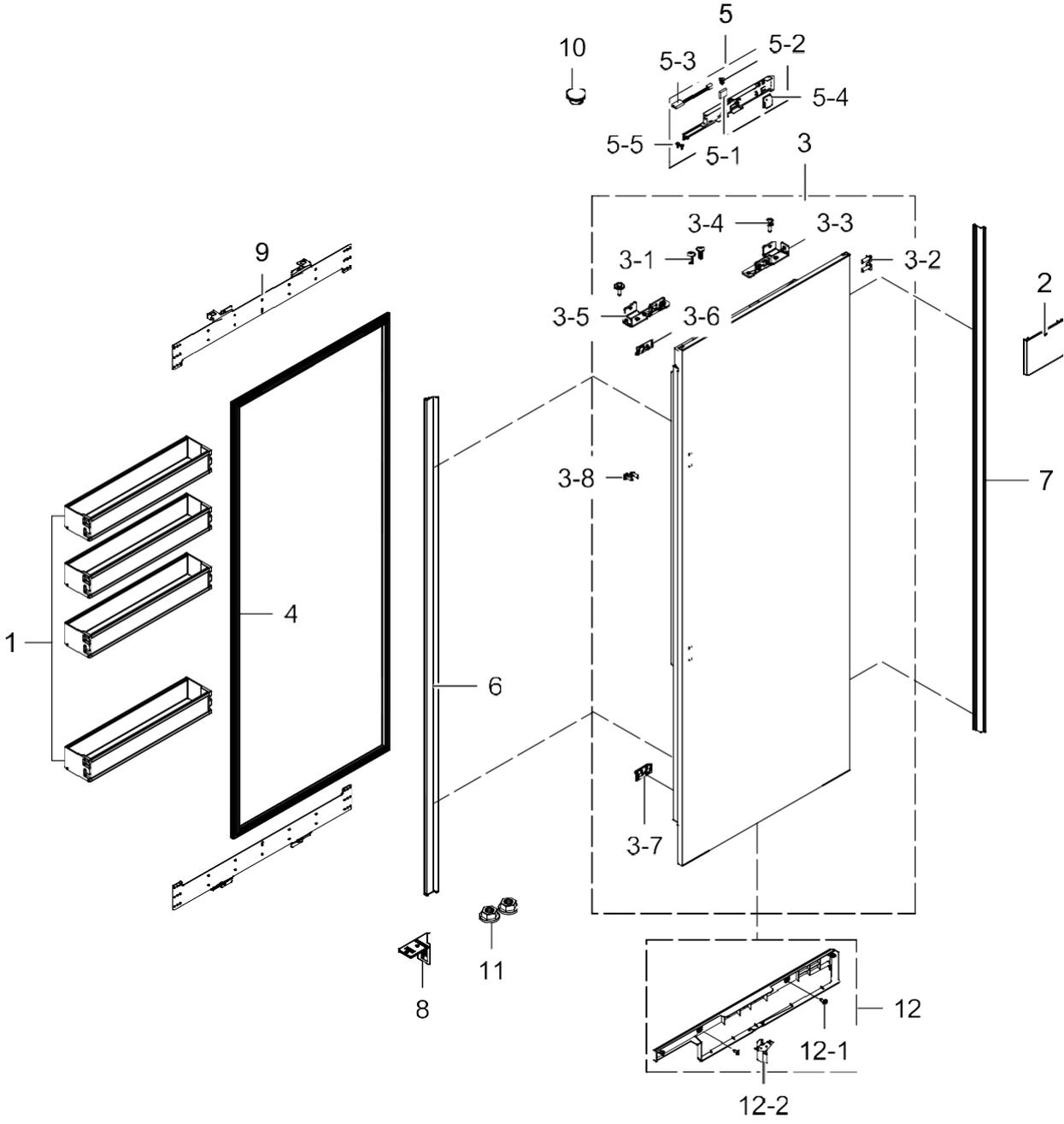
## Door Panels, Handles, and Toe Kick

Type	SVC Part	Dacor P/N	Finish
30" Column	Custom Panel-Right Hinge	114169	Graphite
	Modern Handle	114133	Graphite
	Toe Kick Plate	114170	Graphite
	Custom Panel-Right Hinge	114172	Stainless
	Modern Handle	114140	Stainless
	Pro Handle	114141	Stainless
	Toe Kick Plate	114173	Stainless
	Pair Installation Kit	RAC00CPAAAA	Stainless

\*\*\*Note: Only one "Pair installation kit" is needed to install two columns together.

# 3. Door

## Exploded View



## Parts List

No.	Part#	Description and Specification	SNA
1	111442	ASSY GUARD-REF; BRR9000M	SA
2	111039	COVER CAP DOOR; BRR9000M,ABS,INOX GRAY	SA
3	111192	ASSY DOOR FOAM-FRE; BRR9000M,30",RIGHT-HI	SA
3-1	110658	SCREW-TAPPING; TH,+,-,2,M5,L16,ZPC(WHT),S	SA
3-2	110666	SCREW-TAPPING; TH,+,-,2S,M4,L12,ZPC(WHT),	SA
3-3	110845	BRACKET-UP; BRR9000M,PO-SPHC,T2.3,RIGHT	SA
3-4	110847	FIXER-UP FRONT; BRR9000M,SWRCH10A,M6	SA
3-5	110848	BRACKET-UP; BRR9000M,PO-SPHC,T2.3,LEFT	SA
3-6	110867	BRACKET HINGE-REF UP; BRR9000M,GI-SGCC,T2	SA
3-7	110869	BRACKET HINGE-REF LOW; BRR9000M,GI-SGCC,T	SA
3-8	110648	SCREW-TAPPING; TH,+,-,NO,1,M4,L16,ZPC(WHT),	SA
4	111412	ASSY GASKET; BRR9000M,30"COLUMN, DARK GR	SA
5	111439	ASSY CAP DOOR-UP RIGHT; BRR9000M,ABS,30"	SA
5-1	110798	MAGNET; SVETA,FERRITE,1600Gauss	SA
5-2	111133	CAP-SHAFT HOLE; AW3,ABS,HG-0760GP,COOL WH	SA
5-3	110709	SENSOR HUMIDITY; 5V,0~100%RH,REF	SA
5-4	111033	COVER TOP TABLE; BRR9000M,ABS,HB,INOX GRA	SA
5-5	110647	SCREW-TAPPING; TH,+,-,1,M4,L12,ZPC(WHT),SWR	SA
6	111086	TRIM DOOR-LEFT; BRR9000M,ABS,XM-0900,VF S	SA
7	111087	TRIM DOOR-RIGHT; BRR9000M,ABS,XM-0900,VF	SA
8	110889	GUIDE PANEL; BRR9000M,HIPS,S834S1,COOL WH	SA
9	110902	BRACKET-WOOD; BRR9000M,PO-SPHC,T2.3,COLUM	SA
10	111129	CAP SCREW; BRR9000M,ABS,HB,HG-0760GP,INOX	SA
11	110680	NUT-HEXAGON FLANGE; M8,SWRCH10A,FLANGE, M	SA
12	111637	ASSY CAP DOOR-LOW RIGHT; BRR9000M,ABS,30'	SA
12-1	110647	SCREW-TAPPING; TH,+,-,1,M4,L12,ZPC(WHT),SWR	SA
12-2	110862	GUIDE AIR-A; BRR9000M,ABS,HB,INOX GRAY	SA